



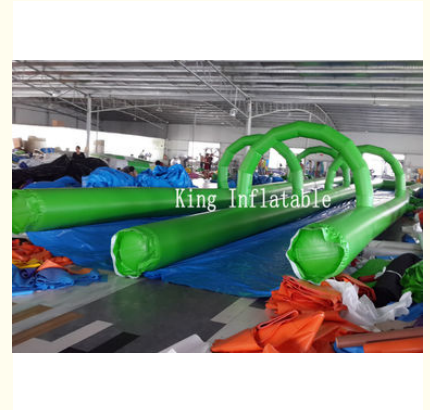
PVC Tarpaulin Inflatable Slip Slide 300m Long Double Lanes Inflatable Water City

Our Product Introduction

for more products please visit us on inflatablewaterfun.com

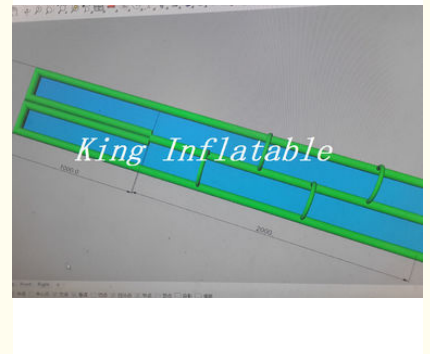
Basic Information

- Place of Origin: GuangZhou, China
- Brand Name: King Inflatables
- Certification: CE , UL, SGS, EN71, EN14960
- Model Number: King-cs003
- Minimum Order Quantity: 1 pc
- Price: USD 15000-20000 pc
- Packaging Details: 10 PVC bags : 115x85x85cm , 9 blower cartons : 51x51x45cm , 1 air pump carton : 20x20x18cm
- Delivery Time: about 10 working days
- Payment Terms: T/T, L/C, Western Union , Money Gram, Euro account, US dollar account
- Supply Ability: 200 pcs / month



Product Specification

- Features: Double Lanes
- Material: 0.55mm PVC Tarpaulin
- Size: 300m Long X 5.8m Wide
- Color: Light Blue And Green
- Type: Constant Blower Type And Airtight Type
- Accessories: With 9 Blowers , A Air Pump And Repair Kits
- Logo: Ok
- Warranty: 2 Years
- Highlight: **inflatable water slides for pools, commercial inflatable water slide**



More Images



Product Description

PVC Tarpaulin Inflatable Slip Slide Water City 300m Long Double Lanes

Specifications :

Product Name	Inflatable Slip Slide
Type	Constant blower type and airtight type
Material	0.55mm PVC tarpaulin
Size	300m Long x 5.8m Wide
Color	Light Blue and Green
Logo	OK
Accessories	With 9 blowers , a air pump and repair kits
Warranty	2 years

Details :

1. 0.55mm PVC Tarpaulin : It contains 3 layers which have double coated side with a strong net inside , very strong and durable , using 5 years at least ; all our materials are purchased from Plato factory , a best material factory in China , more expensive than other material factory in price , but better than other material factory in quality ; we will use 0.55mm in thickness
2. Constant blower type : we need to inflate it constantly with blowers connecting electricity , the first 9 parts are constant blower type ; Airtight type : we only need to inflate it one time with air pumps connecting electricity , the last part are airtight type
3. Size 300m Long x 5.8m Wide : we generally would devide it into 10 parts , every part is 30m long ,the first nine parts are constant blower type , the last part is airtight type , actually , it is just like a pool .
4. Accessories : as it is devided into 10 parts , the first nine parts are constant blower type , it comes with 9 blowers ; the last part is airtight type , it comes with a air pump . Generally , we would suggest the customer buy one more blower and one more air pump as a spare .
5. Certificates : CE , EN71-2-3 ,EN14960 , SGS , ROHS etc .
6. Repair kits : including some blue and green material , same as the city slide , come with strong PVC special glue .
7. Warranty : For this Slip Slide , we would guarantee 2 years . In two years' warranty period , if there are any quality problems , we will take full responsibilities for instructing you how to repair and getting it re-worked , if failed , we will promise to make a new one for you .
8. Shipping : Regarding this Slip Slide , it is very heavy , shipping by sea is the best choice ,no better choice .
9. Package : 10 PVC bags for 10 parts - 115x85x85cm ; 9 Carton bag for 9 blowers- 51x51x45cm ; 1 carton for 1 air pump - 20x20x18cm
10. Different sizes , color , logo can be customized . You know , all our products are OEM .

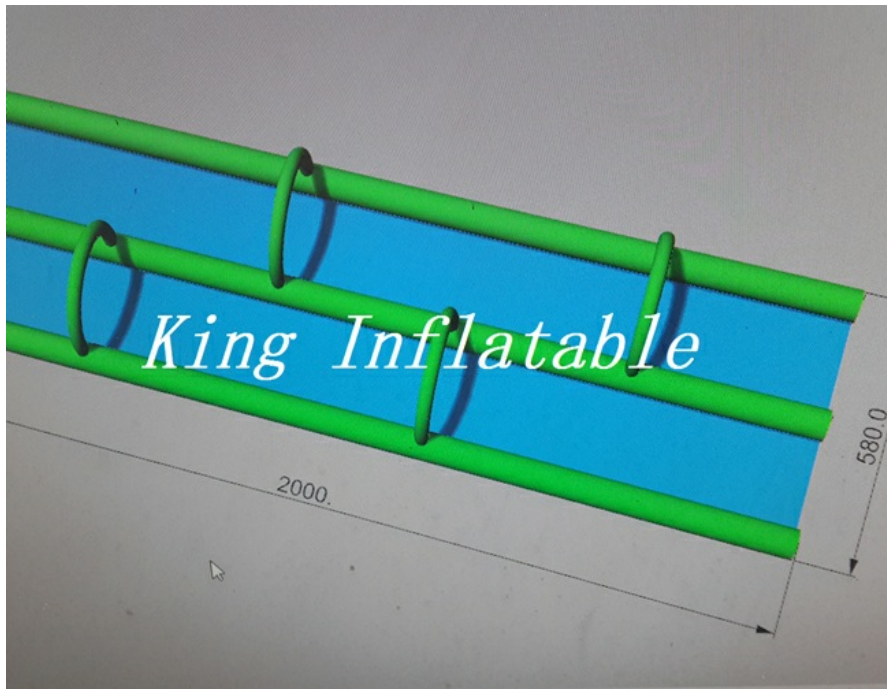
Application :

Regarding inflatable Slip Slide , you need to spray water with the water pipe when people are playing ,which will bring extreme fun . Besides ,it should be placed on a slope of street or hill , so that people can freely slide to the end . Of course , you can add some soap foam on the slide to make it more smooth .

Advantages :

1. Good quality and competitive price : we are top factory in our inflatable industry
2. Best after-sales service : after you receive the goods , we will follow up the situation that you use products anytime .
3. Strong stitching and double stitching : machine is the latest with a high technology .
4. Fast inflating and deflating : we can inflate it fast about 5 minutes with blowers and air pumps
5. Strong and durable : all the materials we use are in good quality and workmanship is very good as well
6. Can be customized : customize design , size , logo and color .
7. High securities and long life : it is no problem to use 5 years at least
8. Easy to get it repaired : we can use spare material and glue to get it repaired easily
9. On-time delivery and fast shipping : Because of a high production capacity , we promise to finish on time

Pictures :





King Inflatable Co., Limited



+86 18620259154



kinkor@king-inflatable.com



inflatablewaterfun.com

Room 813, Building A, Jingshi Plaza, No.179 Yingbin Avenue, Huadu District, Guangzhou, China